

VMV

Model: **D1se**

使用说明书 | USER MANUAL

<http://www.smsl-audio.com/>

本说明书的内容可能会随版本更改, 如有变动, 恕不另行通知
The contents of this manual may be changed with the edition,
and are subject to change without notice.

Ver 1.0

安全注意事项

注意：

为防电击，请勿打开机盖(或后盖)。
本机内部无使用者可以维修的部件。
请委托有资格的技术人员进行维修。



注意
触电危险，
请勿打开。



等边三角形中有箭头闪电标号的图形表示警告使用者在产品内有非绝缘的“危险电压”，可能会对人体造成很大的电击危险。



等边三角形中有感叹号的图形表示警告使用者该设备在操作与维护(维修)方面应严格按照所附设备说明书。



仅适用于海拔2000m以下地区安全使用。

注意：为了完全切断本机的电源，请从墙上插座中拔出插头。电源插头用于完全中断机器的电源供应。

本说明书内容如有更新，恕不另行通知。若您使用的产品功能与说明书不一致时，请以产品为准！

特点

- 支持MQA解码；
- 配备可以调节高低的机脚；
- 全铝CNC高端外观设计；
- 最新研发的智能温度补偿系统(ITS), 确保产品一直处于最佳性能状态；
- 使用美国ESS公司高端ES9038PRO D/A芯片；
- 搭配使用ES9311, ESS高性能DAC专用电源芯片ES9311, 电源噪声低至1uVrms, 将ES9038PRO的性能推到极限；
- USB使用XMOX XU-216, 真正的32bit USB方案, 支持DoP和原生DSD PCM最高支持到768kHz, DSD支持到DSD512；
- 使用了超低相噪和优化的时钟处理电路处理, 以达到超低的时钟抖动；
- 全部输入口均支持DSD传输, 同轴, 光纤支持DoP64；
- 使用钢化玻璃显示面板, 更高的透光率, 更长的使用寿命；
- 内置带屏蔽, 低噪声电源处理, 同时提高电源效率, 功耗更低；
- 特别设计的分立元件线性稳压电源和多个低噪声稳压电源, 为模拟电路提供低噪声电源；
- 蓝牙5.0数字音频输入, 支持APT-X, 外置天线, 传输距离更远！
- 高品质镀金输入输出连接端子；
- 使用3颗高端双运放OPA1612及大量发烧元器件；
- 1.9吋的液晶显示屏；
- 日本音频协会(JAS)Hi-Res认证；
- 配备遥控器和全功能遥控。

目录

安全注意事项.....	1
特点.....	2
目录.....	3
技术参数.....	5
关于遥控器.....	6
部件介绍.....	7~8
主机前面.....	7
主机背面.....	8
关于MQA.....	9
显示界面和操作介绍.....	10-15
蓝牙操作说明.....	16
恢复出厂设置/保修条款.....	17

Table of content

Safety notes.....	18
Features.....	19
Specification.....	20
Remote Control.....	21
Functions.....	22-23
Main unit front.....	22
Main unit back.....	23
About MQA.....	24
Operation Instructions.....	25-30
Bluetooth Instructions.....	31
Factory Reset/Warranty Terms.....	32

技术参数

输入方式	USB /光纤/同轴/蓝牙		
输出方式	单端线路/平衡线路		
THD+N	0.00009% (-121dB)		
动态范围	平衡线路		130dB
	单端线路		123dB
信噪比	130dB		
输出阻抗	XLR		207Ω
	RCA		142Ω
USB传输方式	异步传输		
USB兼容性	Windows 7 / 8 / 8.1 / 10, Mac OSX, Linux		
位深	USB		1bit, 16~32bit
	光纤/同轴		1bit, 16~24bit
采样率	USB	PCM	44.1~768kHz
		DSD	2.8224~22.5792MHz
	光纤/同轴	PCM	44.1~192kHz
		DSD	DSD64(DoP)
蓝牙规格	BT 5.0 (支持APT-X, SBC, AAC)		
消耗功率	5W		
待机功耗	<0.5W		
体积	210X185X42mm(WxHxD)		
重量	1.64kg		

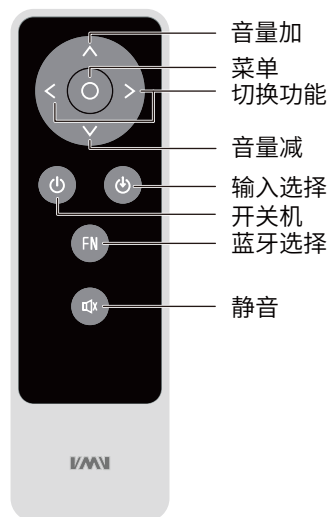
规格时有变更，恕不另行通知。

关于遥控器

如果遥控器距离本机很近时操作仍无效，请用新电池更换。

如果要长时间不使用遥控器，请取出遥控器的电池。

按照电池处置的地方性法规处置废旧电池。



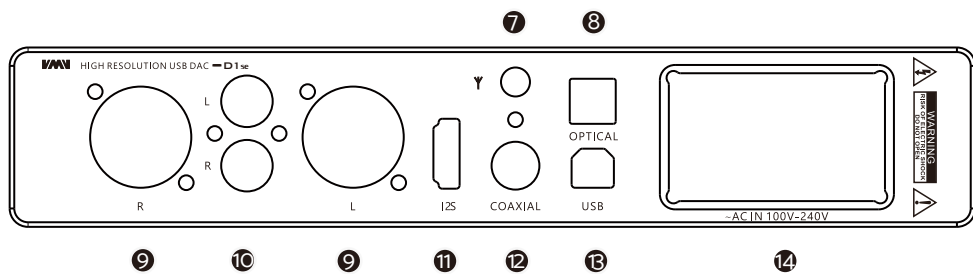
部件介绍

主机前面



1. 功能旋钮
2. 待机LED
3. 显示屏
4. 输入源选择按键
5. 红外接收窗
6. 蓝牙按键

主机背面



7. 蓝牙天线

8. 光纤输入

9. 平衡线路输出

10. 单端线路输出

11. I²S输入

12. 同轴输入

13. USB输入

14. 电源输入 (100-240V AC)


关于MQA

MQA (Master Quality Authenticated) 是一项屡获殊荣的英国技术, 是一种兼有极高的采样率和足够小的文件体积的高解析音频编码技术。D1se采用MQA技术, 可以接收并解码MQA音频, 提供母带级别的声音。

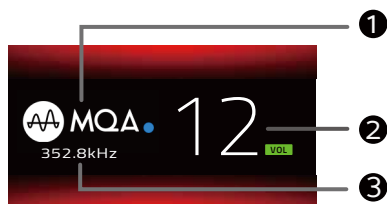
有关更多信息, 请访问<https://www.mqa.co.uk/how-it-works>

MQA文件播放

- D1se只有USB接口支持MQA解码, 其它接口不支持!
- D1se的MQA播放不要求使用特殊的播放软件, 例如foobar2000, Audirvanaplus只要支持ASIO或者WASAPI的音频输出就可以了, 并且在播放MQA音频时, 最好将电脑的音量调到最大, 以使得电脑的音频输出是最佳状态。
- MQA商标旁边的指示灯为绿色或蓝色亮起, 表示设备正在解码并播放MQA音频或文件, 并且确保输出音质与源素材一致。它呈蓝色亮起, 表示它正在播放MQA Studio文件, 该文件已经由艺术家/制作人或者版权所有者获得授权。
- 在播放MQA文件时, 显示屏显示的采样率为音频原始采样率。

 MQA和声波标志是MQA Limited的注册商标。©2016

显示界面和操作介绍

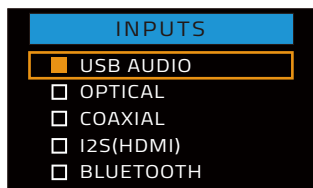


主界面

1.输入选择

2.音量显示

3.采样率



输入菜单

1. USB AUDIO (USB输入)
2. OPTICAL (光纤输入)
3. COAXIAL (同轴输入)
4. I2S(HDMI) (I²S输入)
5. BLUETOOTH (蓝牙输入)

PCM FILTER

Fast Linear

Slow Linear

Fast Minimum

Slow Minimum

Apodizing

Fast Hybrid

Brickwall

PCM滤波器

1. Fast Linear (快速滚降, 线性相位滤波器)
2. Slow Linear (慢滚降, 线性相位滤波器)
3. Fast Minimum (快速滚降, 最小相位滤波器)
4. Slow Minimum (慢滚降, 最小相位滤波器)
5. Apodizing (混合, 快速滚降, 最小相位滤波器)
6. Fast Hybrid (切迹, 快速滚降, 线性相位滤波器)
7. Brickwall (矩形滤波器)



Fast R-off Linear



Slow R-off Linear



Apodizing



Fast R-off Minimum



Slow R-off Minimum



Fast R-off Hybrid



Brickwall

DSD FILTER

- 47k Cutoff
- 50k Cutoff
- 60k Cutoff
- 70k Cutoff

DSD滤波器

DSD总共有4种数字滤波方式,它的作用是数字运算的方式把音频外的杂波过滤掉,分别为:

1. 47kHz Cutoff (47kHz频率截止)
2. 50kHz Cutoff (50kHz频率截止)
3. 60kHz Cutoff (60kHz频率截止)
4. 70kHz Cutoff (70kHz频率截止)

SOUND COLOR

- Standard
- Rich 1
- Rich 2
- Rich 3
- Tube 1
- Tube 2
- Tube 3
- Crystal 1
- Crystal 2
- Crystal 3

音色

本机总共有9种音色模式,它是通过对DAC进行DSP处理,分别为:

- Rich1、Rich2、Rich3(泛音丰富)
- Tube1、Tube2、Tube3(胆味)
- Crystal1、Crystal2、Crystal3(高清晰度)

音色设置是使用ES9038PRO DSP,做出不同的音色效果,所有这些设置不会改变频率响应曲线。设置为Standard模式将禁用此功能!

PRE MODE

- VOL VARIABLE
- VOL FIXED

Turn down AMP VOL!

前级模式

1. VOL VARIABLE(音量可调)
2. VOL FIXED (音量固定)

DPLL BANDWIDTH

7

Default value

DPLL设置

MIN ~ MAX

(共15种, 默认为7。数字越大适应抖动的范围越强, 数字越小抗时钟抖动的性能越好)

DIMMER

OFF

Display always ON!

自动熄屏

范围5秒 - 60秒, 设置后, 屏会在这个时间内自动熄灭, 遥控或者旋钮任意操作屏幕会重新点亮。

BRIGHTNESS

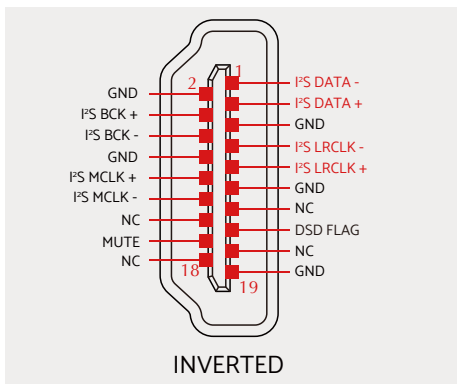
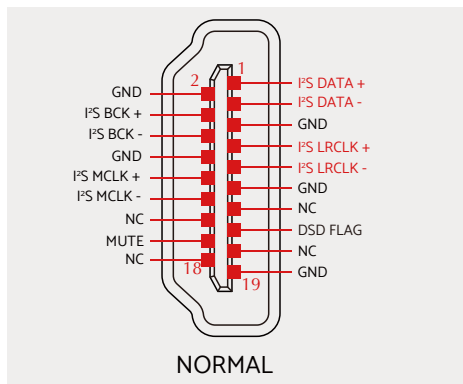


亮度调节范围: LEVEL 1~6

I²S设置

I²S MODE(I²S相位设置)

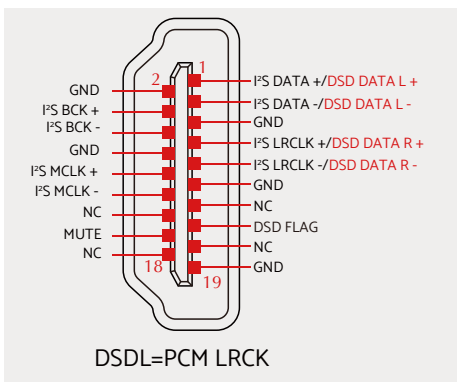
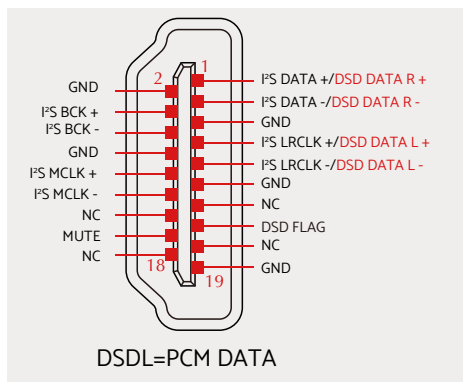
- NORMAL 常规相位
- INVERTED 反相



注: 这个选项用于匹配不同的I²S接口标准, 使用前请检查信号源的接口定义。

I²S DSD CHANNEL(I²S DSD声道设置)

- DSDL=PCM DATA (DSD左声道和PCM的数据引脚共用)(默认)
- DSDL=PCM LRCK (DSD左声道和PCM的LRCK引脚共用)

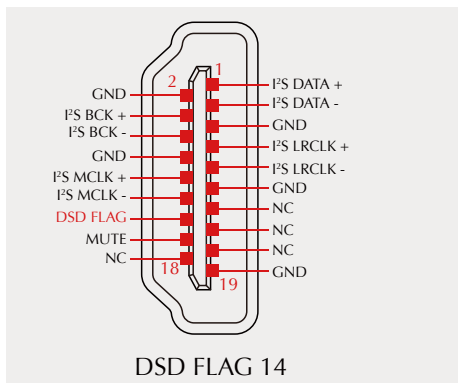
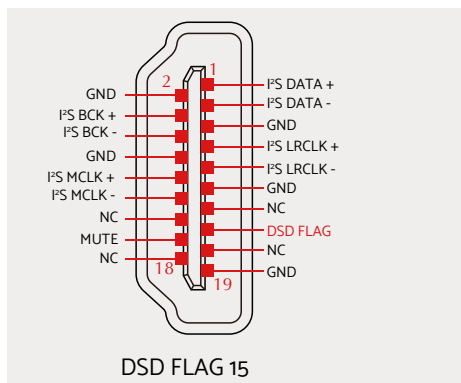


注: 在使用I²S接口播放DSD音频时, 如果发现左右声道不正确, 则可以使用这个选项来纠正。

I²S设置

I²S DSD FLAG (I²S DSD标志位设置)

- DSD FLAG=PIN15 DSD标志位为15Pin
- DSD FLAG=PIN14 DSD标志位为14Pin



蓝牙操作说明

本产品配备了**蓝牙按键**,就是遥控器上的**FN按键**,
这个按键的功能包括:

短按: 直接切换到蓝牙输入,如果蓝牙失去连接,则为重新连接;

长按: 断开当前设备,允许配对其它设备

- **连接:** 将输入源切换至蓝牙,打开手机蓝牙功能,搜索“**VMV D1se**”,搜索到后点击配对连接,当手机显示“已连接”则已连接成功。
- **重连:** 在使用蓝牙过程中,如果失去连接,例如:外出,然后回来,有些手机不会自动重新连接,在这个时候,**短按遥控器的蓝牙按键(FN)**就可以重新连接。
- **连接新设备: 长按遥控器的蓝牙按键(FN)**。在清除配对后,部分手机可能会出现无法再搜索到"VMV D1se",此时需要将手机保存的蓝牙设备"VMV D1se"删除掉,然后再搜索配对。

恢复出厂设置

机器在未通电状态下,按住电源键再通电,直到显示屏显示logo之后,松开按键。

保修条款

一、服务期限

佛山双木三林科技有限公司承诺产品的良好品质,产品自售出之后7天内正常使用情况下出现故障,客户可以选择退货或者保修(不影响二次销售才可退货)。正常使用一年内出现故障可以免费保修。

二、购买日期以销售商开出的购机发票或收据日期为准,网购可以交易截图为准。

三、有以下情况都不能享受“三包”服务

- 一切人为因素损坏,包括非正常工作环境下使用或不按照说明书使用;
- 用户私自拆机、改装、维修;
- 使用非指定或许可的配件造成损坏的;
- 机身的QC或保修贴损毁;
- 不能出示有效购机凭证;
- 不属于本公司产品。

四、保修方式为送修

此条款只适于中国大陆,其它地区请参考当地销售代理商的规定和国家法规。



Safety notes

CAUTION:

TO REDUCE THE RISK OF ELECTRIC SHOCK,
DO NOT REMOVE COVER(OR BACK).



The lightning flash with arrowhead symbol, with in an equilateral triangle, is intended to alert the user to the presence of uninsulated “dangerous voltage” within the product’s enclosure that may be of sufficient magnitude to constitute a risk of electric shock to persons.



The exclamation point within an equilateral triangle is intended to alert the user to the presence of important operating and maintenance (servicing) instructions in the literature accompanying the appliance.



Safe use only under elevation 2000m.

WARNING:

TO REDUCE THE RISK OF FIRE OR ELECTRIC SHOCK, DO NOT EXPOSE
THIS APPLIANCE TO RAIN OR MOISTURE.

The contents of this manual are updated without prior notice. If the function of the product you are using is inconsistent with the instructions, the function of the product shall prevail!

Features

- Supports MQA decoding;
- All-aluminum CNC high-end appearance design;
- Equipped with adjustable feet;
- The newly developed intelligent temperature compensation system(ITS) ensures that the product is always in the best performance state;
- The top performance D/A chip ES9038PRO from ESS Technology;
- The high-performance power supply chip ES9311, the noise of ES9311 is as low as 1uVrms, to push ES9038PRO to the limit;
- XMOS XU-216, true 32bit audio processing, supports DoP and Native DSD, and reaches 32bit/768kHz and DSD512;
- Ultra-low phase noise and optimized clock processing circuit are used to achieve ultra-low clock jitter;
- All inputs support DSD streaming, including coaxial and optical (DoP64);
- Use tempered glass display panel for higher light transmission and longer service life;
- Built-in shielded, low noise power supply processing, while improving power efficiency, lower power consumption;
- Specially designed discrete component linear regulated power supply and multiple low noise regulated power supplies to provide low noise power for analog circuits;
- Bluetooth 5.0 digital audio input, support APT-X, external antenna,transmission distance farther!
- High quality gold-plated input and output jacks;
- 3 high-end dual op-amps OPA1612 and a lot of audio grade components are used;
- 1.9 inch TFT LCD display;
- JAS Hi-Res certification;
- Equipped with remote control and full-function remote control.

Specification

Input	USB / Optical / Coaxial / Bluetooth		
Output	RCA /XLR		
THD+N	0.00009%(-121dB)		
Dynamic range	XLR	130dB	
	RCA	123dB	
SNR	130dB		
Output impedance	XLR	207Ω	
	RCA	142Ω	
USB transmission	Asynchronization		
USB compatibility	Windows 7 / 8 / 8.1 / 10, Mac OSX、 Linux		
Bit depth	USB	1bit, 16 ~ 32bit	
	Optical/Coaxial	1bit, 16 ~ 24bit	
Sampling rate	USB	PCM	44.1 ~ 768kHz
		DSD	2.8224 ~ 22.5792MHz
	Optical/Coaxial	PCM	44.1 ~ 192kHz
		DSD	DSD64(DoP)
Bluetooth specification.....	BT5.0(support APT-X, SBC, AAC)		
Power Consumption	5W		
Standby power	<0.5W		
Size	210X185X42mm (WxHxD)		
Weight	1.64kg		

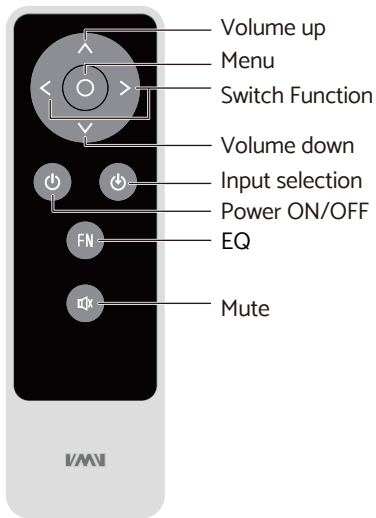
Specifications are subject to change without notice.

Remote Control

Install CR2032 or BR2032 lithium 3V coin battery as instructions

When using the remote control, point it toward the remote control signal receiver on the main unit from a distance of 5 m (16 ft) or less. Do not place obstructions between the main unit and the remote control.

The remote control might not work if the remote control signal receiver on the unit is exposed to direct sunlight or bright light. If this occurs, try moving the unit. Beware that use of this remote control could cause the unintentional operation of other devices that can be controlled by infra.



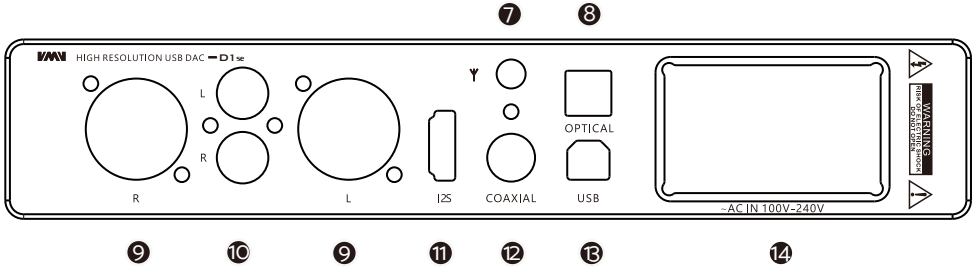
Functions

Main unit front



- 1. Multi-function knob
- 2.LED
- 3.Display
- 4.Input source select
- 5.Remote window
- 6.Bluetooth

Main unit back



7. Bluetooth antenna

8. Optical input

9. Balanced output

10. RCA output

11. I²S input

12. Coaxial input

13. USB input

14. AC IN (100V-24V AC)

About MQA

MQA (Master Quality Authenticated) is an award-winning British technology that delivers the sound of the original master recording. The master MQA file is fully authenticated and is small enough to stream or download. The D1se includes MQA technology, which enables you to playback MQA audio files and streams, delivering the sound of the original master recording.

Visit How it works <https://www.mqa.co.uk/how-it-works> for more information.

MQA files playback

- The D1se supports MQA decoding on the USB interface.
- D1se's MQA playback does not require additional software. You can use foobar2000 or Audirvana for MQA playback as it supports ASIO or WASAPI audio output. When playing MQA audio, it is suggested to adjust the volume of the computer to the maximum for the best audio output.
- The D1se LED next to MQA logo glows green or blue to indicate that the unit is decoding and playing an MQA stream or file, and denotes provenance to ensure that the sound is identical to that of the source material. It glows blue to indicate it is playing an MQA Studio file, which has either been approved in the studio by the artist/producer or has been verified by the copyright owner.
- When playing an MQA file, the sampling rate of the original master recording is displayed.



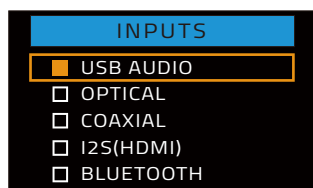
MQA and the Sound Wave Device are registered trade marks of MQA Limited. © 2016

Operation Instructions



MAIN

1. Audio format
2. Volume Level
3. Sampling rate



INPUT

1. USB AUDIO
2. OPTICAL
3. COAXIAL
4. I²S(HDMI)
5. BLUETOOTH

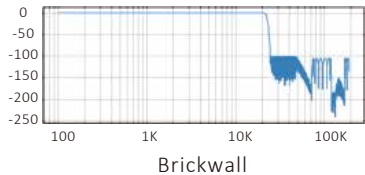
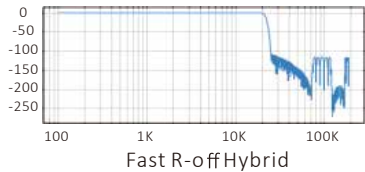
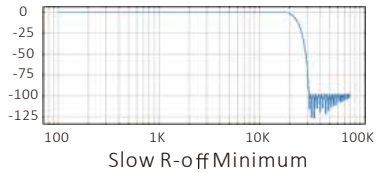
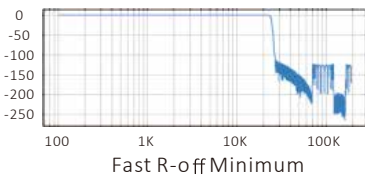
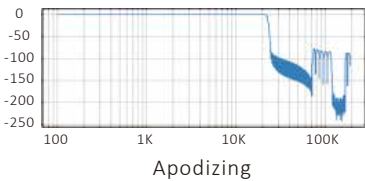
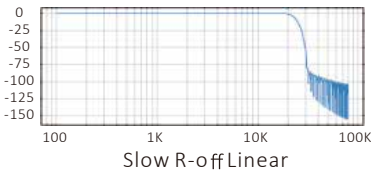
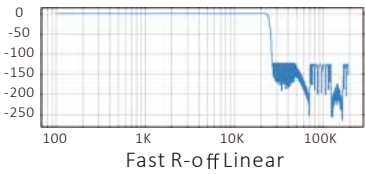
PCM FILTER

- Fast Linear
- Slow Linear
- Fast Minimum
- Slow Minimum
- Apodizing
- Fast Hybrid
- Brickwall

PCM FILTER

(This setup is only valid for non-MQA PCM format. Products with a full MQA Decoder unfold the file to deliver the highest possible sound quality. At this level of playback you are hearing what the artists created in the studio - with precise file and platform-specific DAC compensation and management.)

1. Fast Linear
2. Slow Linear
3. Fast Minimum
4. Slow Minimum
5. Fast Hybrid
6. Apodizing
7. Brickwall



DSD FILTER

- 47k Cutoff
- 50k Cutoff
- 60k Cutoff
- 70k Cutoff

DSD FILTER

There are 4 kinds of digital filtering in total. It's the way that the digital operation means the clutter outside the audioFilter out, respectively

1. 47kHz Cutoff
2. 50kHz Cutoff
3. 60kHz Cutoff
4. 70kHz Cutoff

SOUND COLOR

- Standard
- Rich 1
- Rich 2
- Rich 3
- Tube 1
- Tube 2
- Tube 3
- Crystal 1
- Crystal 2
- Crystal 3

SOUND COLOR

There are 9 sound color settings in D1se.

Rich1、 Rich2、 Rich3
Tube1、 Tube2、 Tube3
Crystal1、 Crystal2、 Crystal3

This setting is using the DSP of ES9038PRO, to make some different sound color, all of these settings will not change the frequency response curve. When set to "Standard", this setting will be bypassed.

PRE MODE

- VOL VARIABLE
- VOL FIXED

Turn down AMP VOL!

PRE MODE

Volume control enable or disable.

Vol Fixed : In this mode, volume is fixed on max output level, and the D1se will ignore the volume operations.

Vol Variable: In this mode, volume can be adjust by remote controller, and make D1se a pre-amplifier.

DPLL BANDWIDTH

7

Default value

DPLL

MIN ~ MAX

(A total of 15 kinds, the default is 7 kinds. The larger the number is, the stronger the range to adapt to jitter, and the smaller the number, the better the performance against clock jitter.)

DIMMER

OFF

Display always ON!

DIMMER

The range is 5 seconds-60 seconds. After setting, the screen will automatically go off within this time, and the screen will re-light up if you operate the remote control or the knob at any time.

BRIGHTNESS



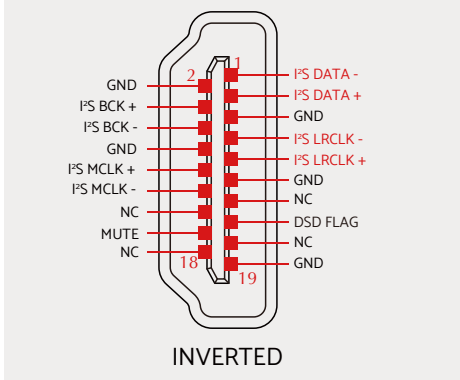
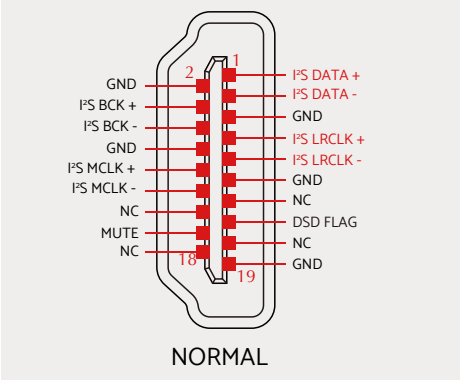
BRIGHTNESS

LEVEL 1~6

I2S Instructions

I²S MODE

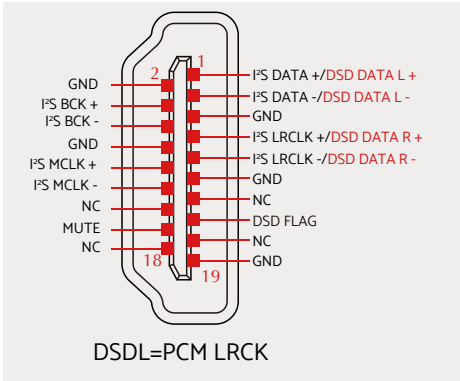
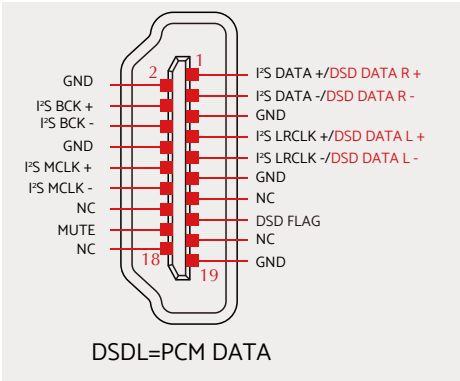
- NORMAL
- INVERTED



Note: This option is used to match different I²S interface standards, please check the interface definition of the signal source before use.

I²S DSD CHANNEL

- DSDL=PCM DATA
- DSDL=PCM LRCK

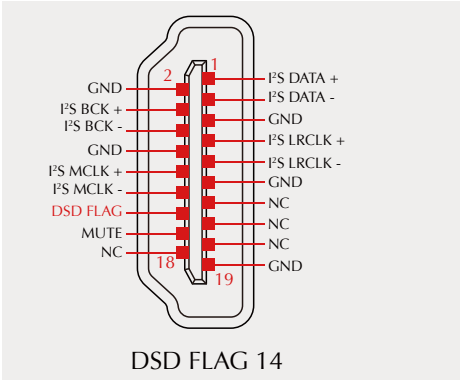
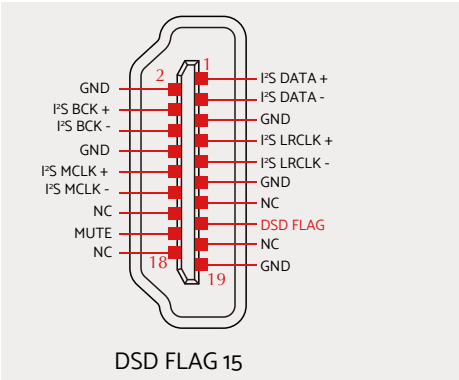


Note: When using the I²S input to streaming DSD audio, if you find that the left and right channels are incorrect, you can use this option to correct it.

I2S Instructions

I²S DSD FLAG

- DSD FLAG=PIN15
- DSD FLAG=PIN14



Bluetooth operating instructions

This product is equipped with a **Bluetooth button**, which is the **FN button** on the remote control. The functions of this button include:

- **Short press:** Switch directly to Bluetooth input, if Bluetooth loses connection, it is a reconnect,
- **Long press:** Disconnect the current device and allow pairing with other devices.

Connection:

- Step 1: Switch the input source in the SETTING MENU or press the Bluetooth button of the remote,
- Step 2: Turn on the Bluetooth function of the mobile phone, search for “**VMV D1se**”, and tap to pairing. When the mobile phone displays “connected”, it has been successfully connected.

Re-connection:

When you had lost the connection with the D1se, for example, going out, and back home, some phones will not re-connect the D1se if the D1se has not been re-boot, so you can **press the Bluetooth button (FN)** on the remote to Re-connect.

Clear pairing: Long press the “Bluetooth” button(FN) on the remote control. After clearing the pairing, some phones may no longer be able to search for “VMV D1se”. In this case, you need to delete the Bluetooth device “VMV D1se” which saved in the phone, and then search and pairing again.

Factory Reset

Connect the power cord when pressing the power button, until the screen shows logo.

Warranty Terms

1.The Term of Service

Foshan Shuangmusanlin Technology Co., Ltd promises to offer good-quality products. If the product is broken in 7 days after purchasing when you use it normally, you can choose to send it back for return, replacement or repairing (only the product does not affect the second sales can be returned). Repairing for free in one year if you use it normally.

2.Date of purchase is in accordance with the date on invoice or receipt used by seller, and if you buy it on line, you can show the screenshot of trade.

3.If an inappropriate usage causes the unit damaged, the warranty will be void. As below.

- All damages by inappropriate use, including using it under non-normal working environment or without following the instructions.
- Dismantling, refitting, repairing by user in private.
- Causing damage by using some fittings instead of the designative or accredited ones.
- Cannot provide credible proof of purchase.

4.Sending it back to our company for repairing.

5.Contact your S.M.S.L Audio reseller for a return or replacement.